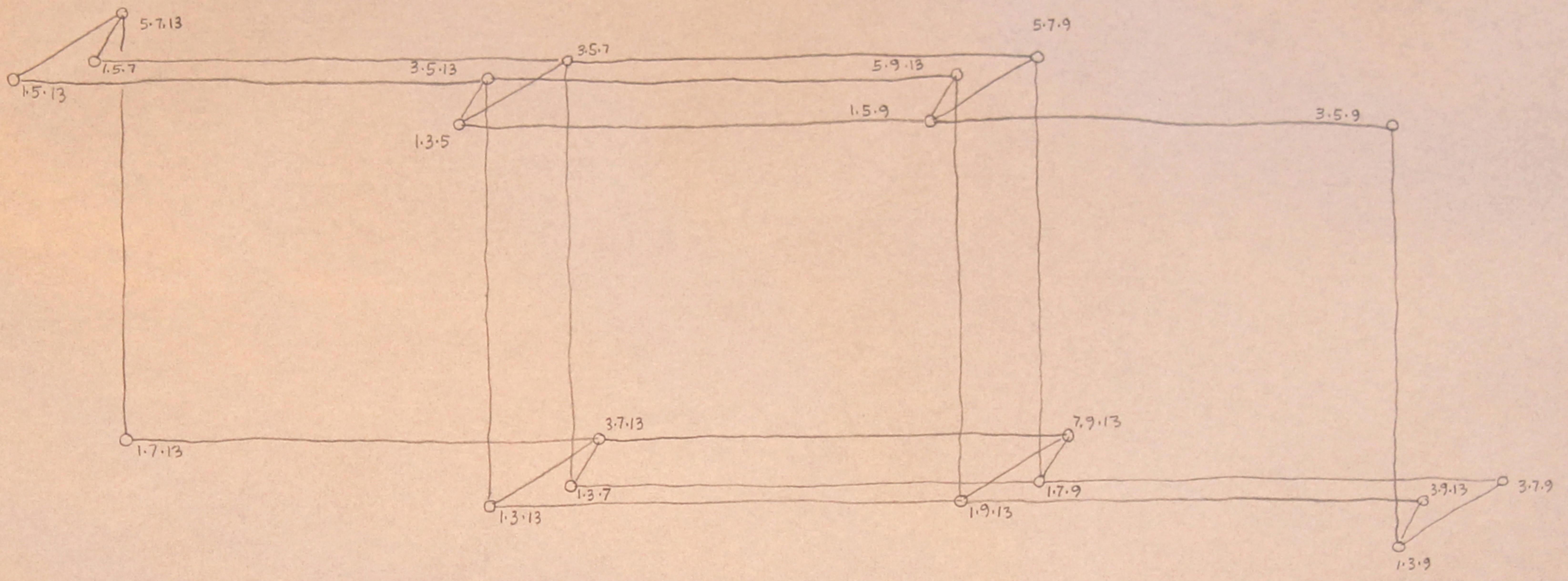
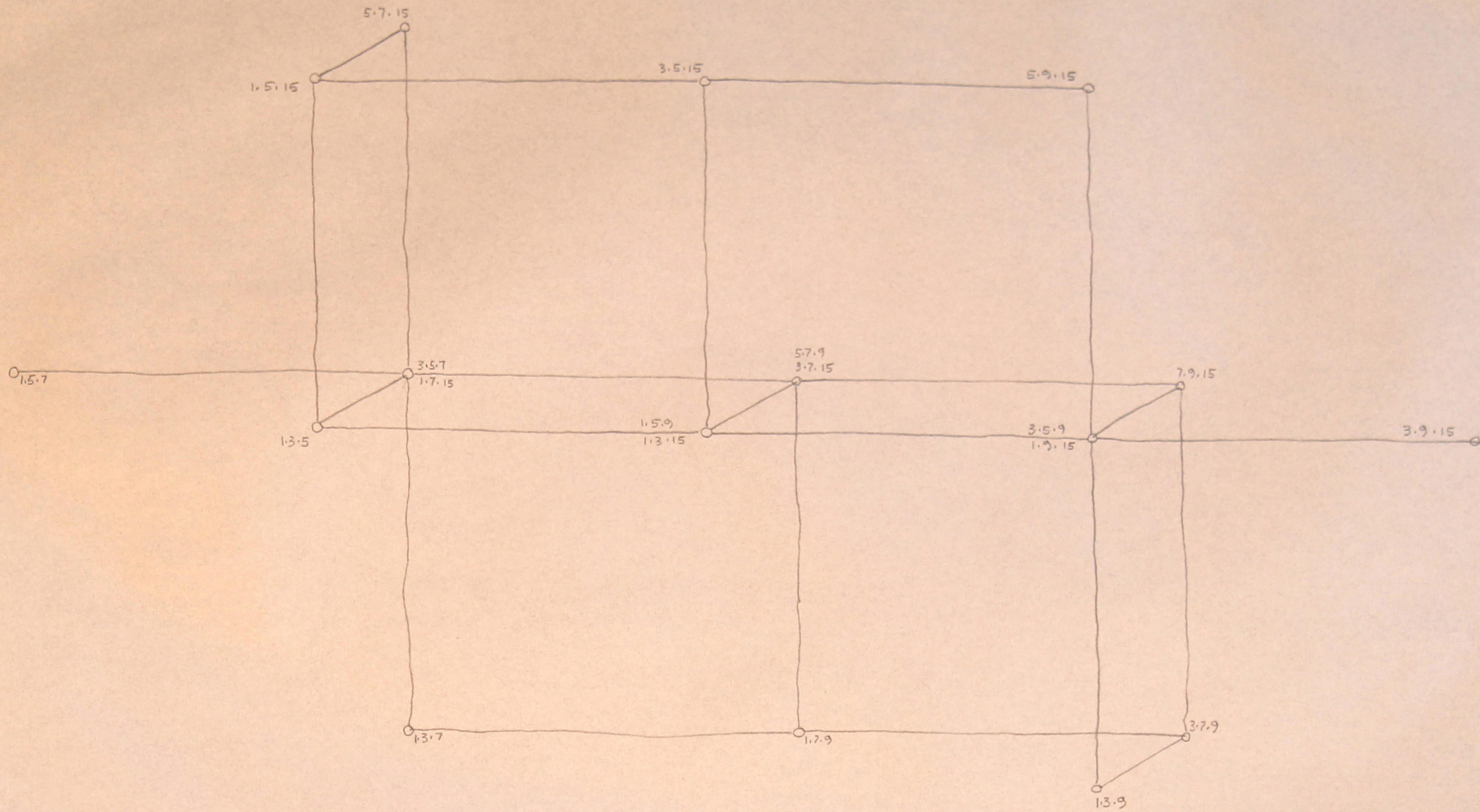
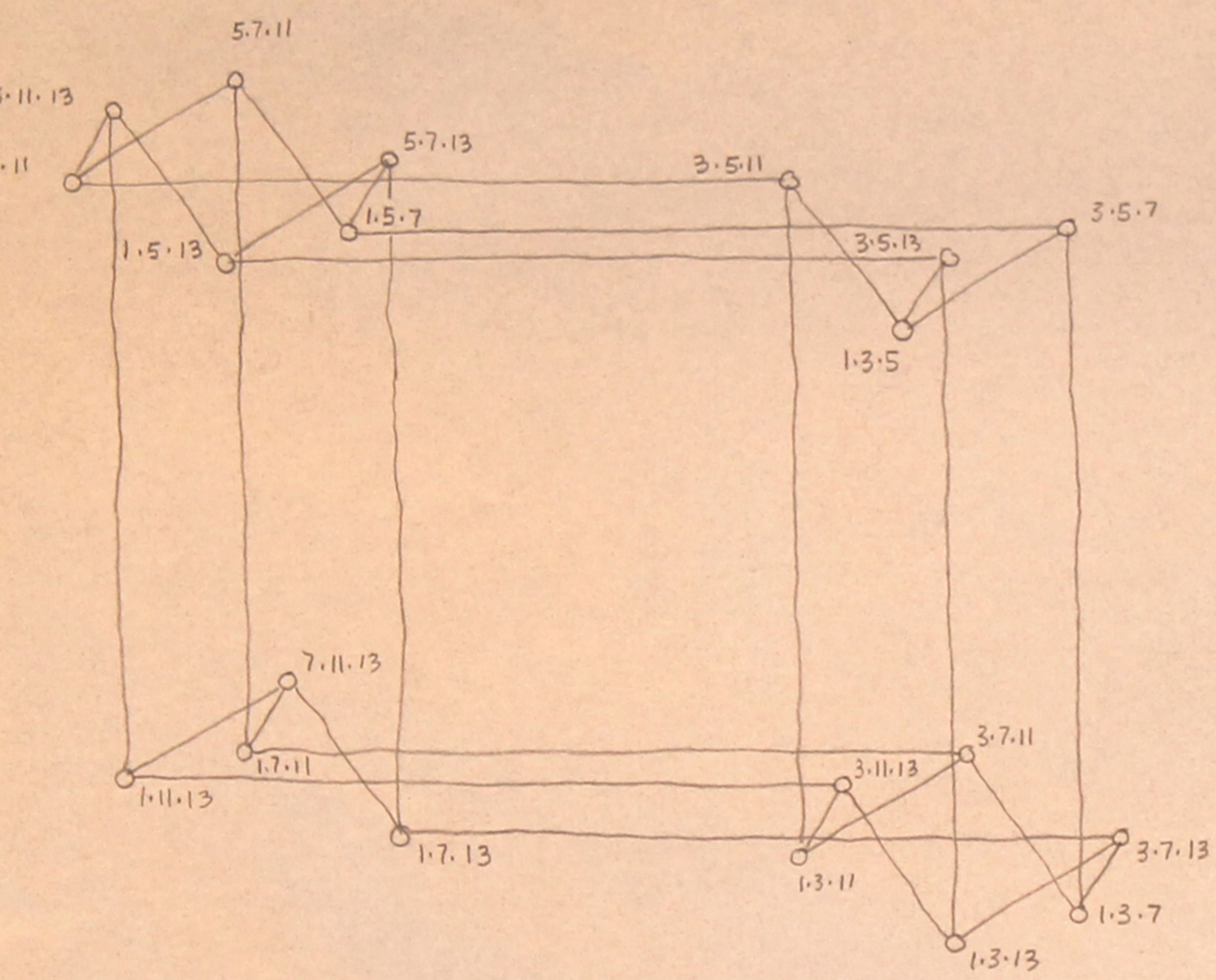


1 3 5 7 9 11

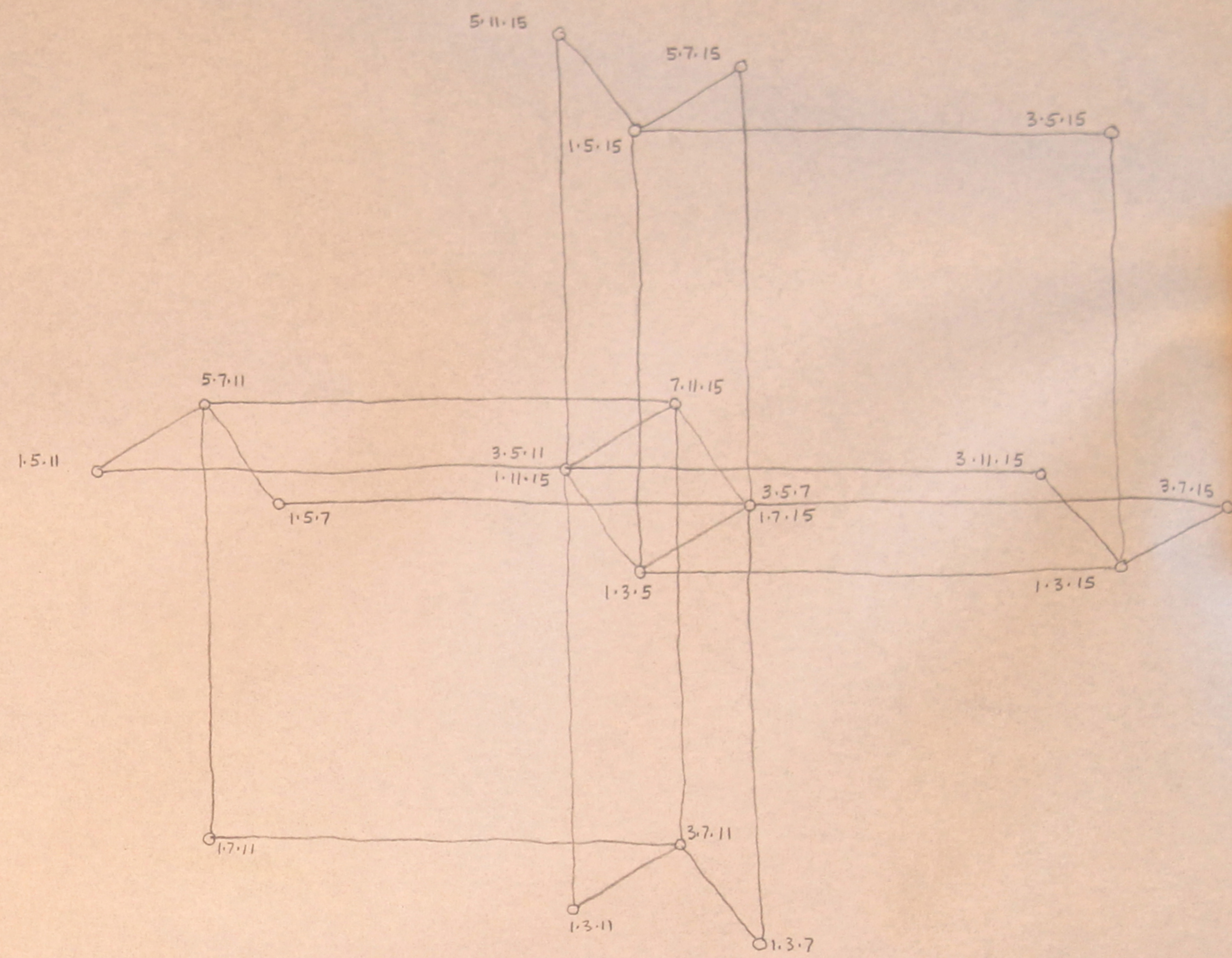


1 3 5 7 9 13

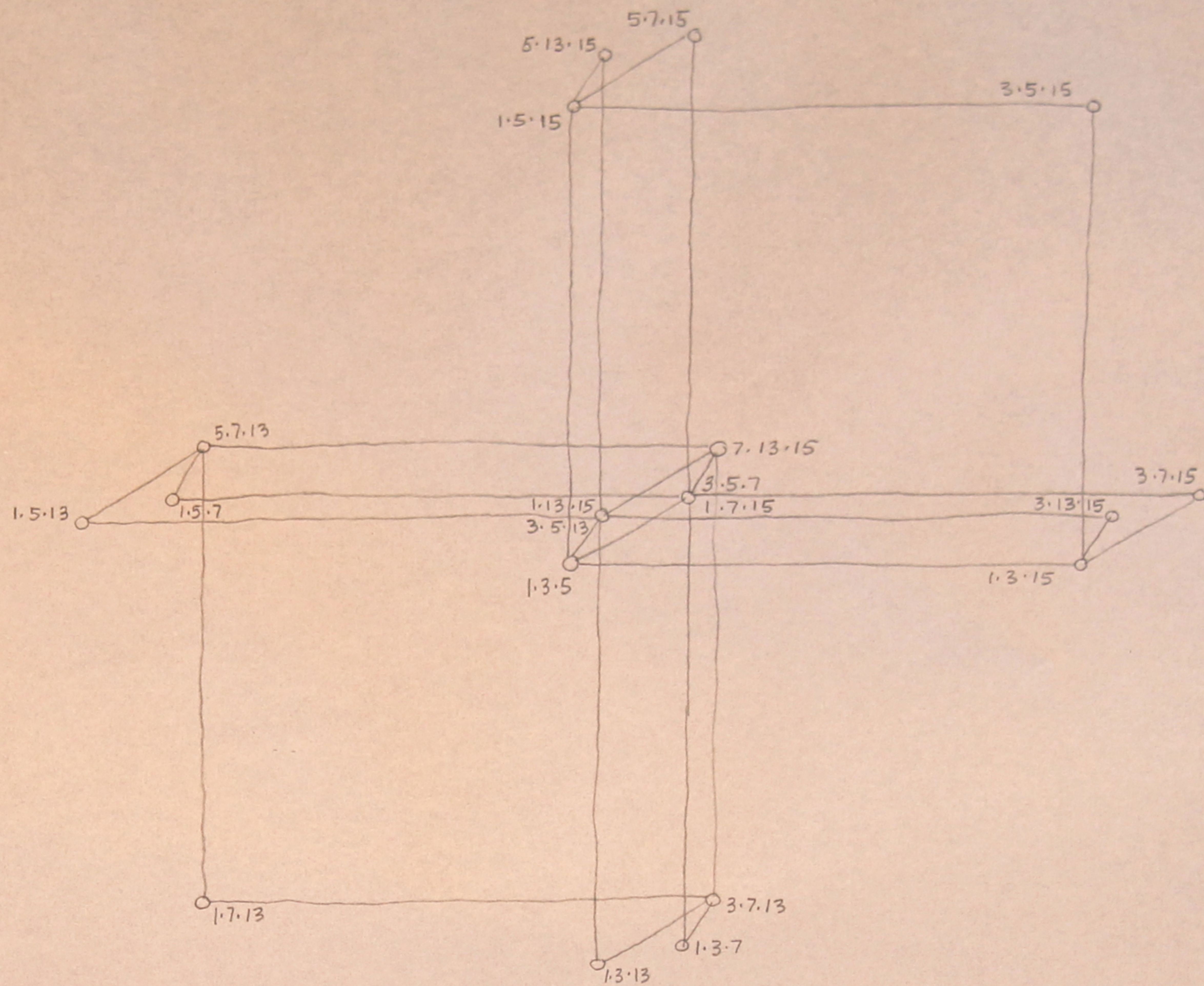




1 3 5 7 11 13

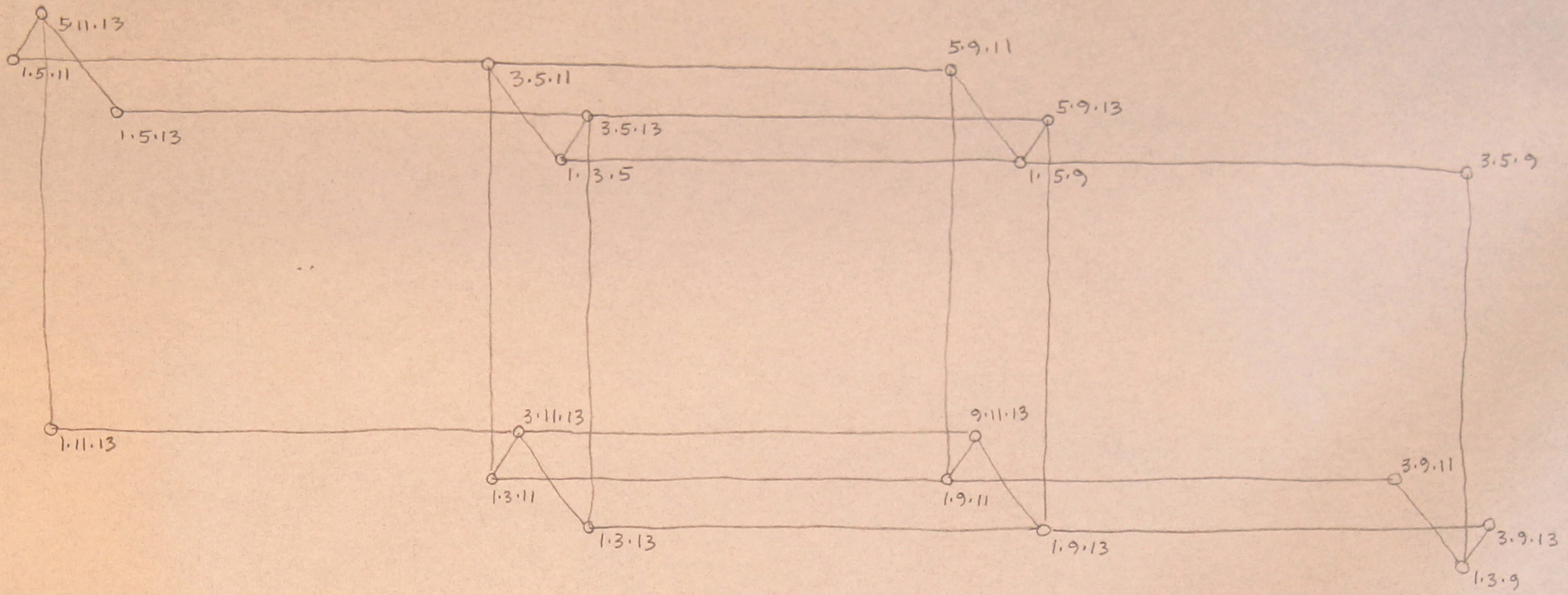


1 3 5 7 11 15

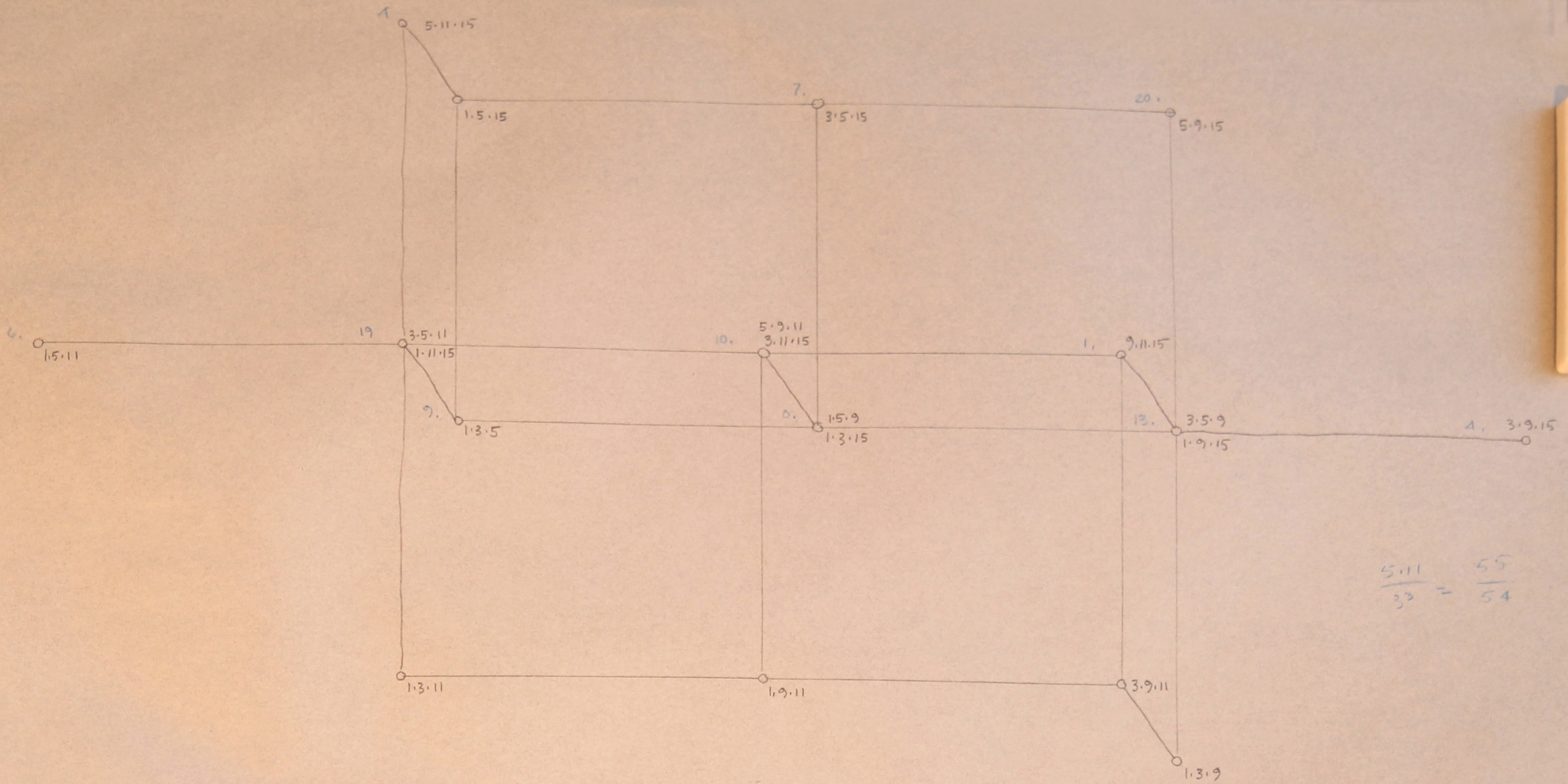


3 5 7 13 15

1 3 5 7 13 15

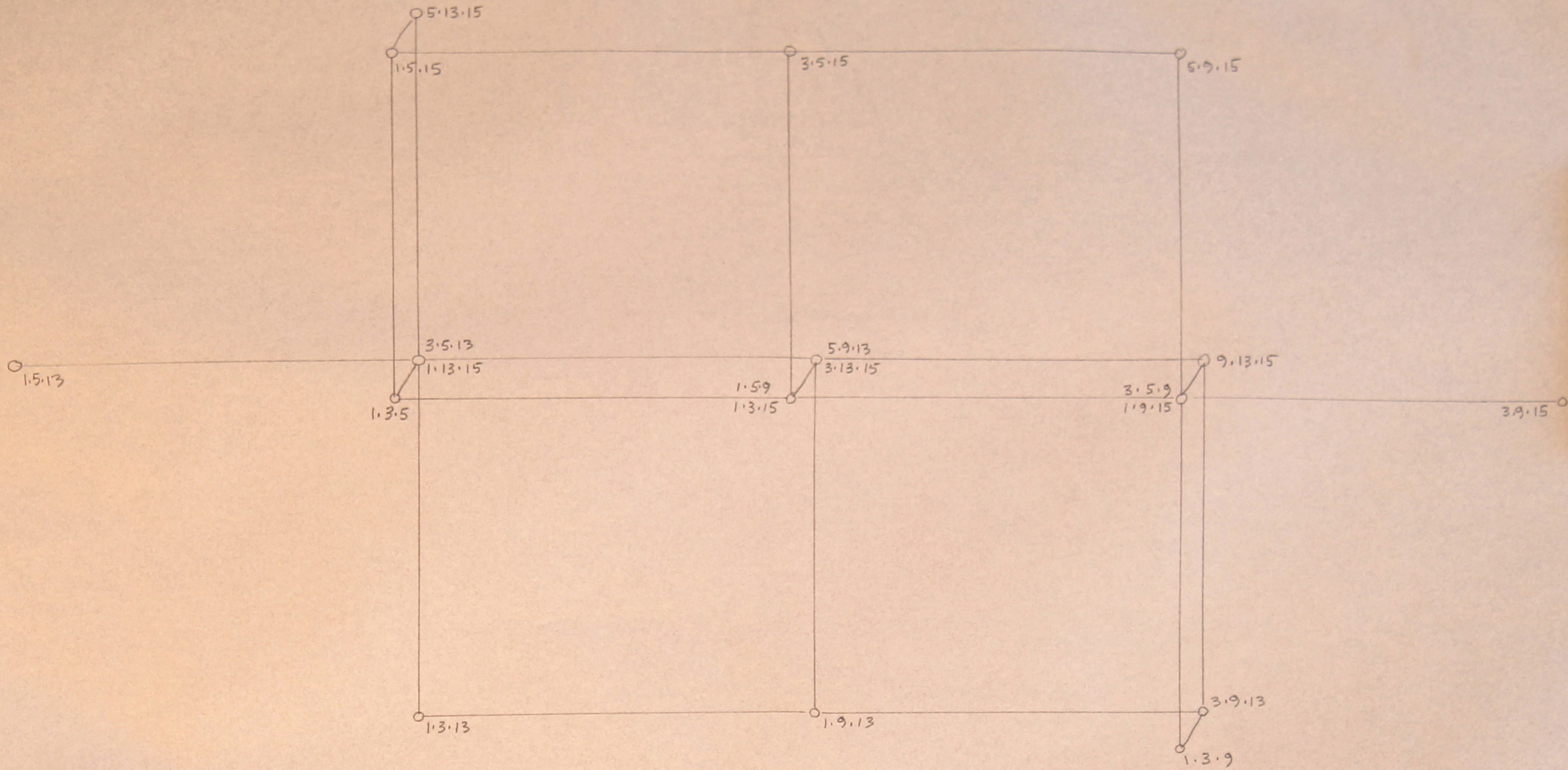


1 3 5 9 11 13

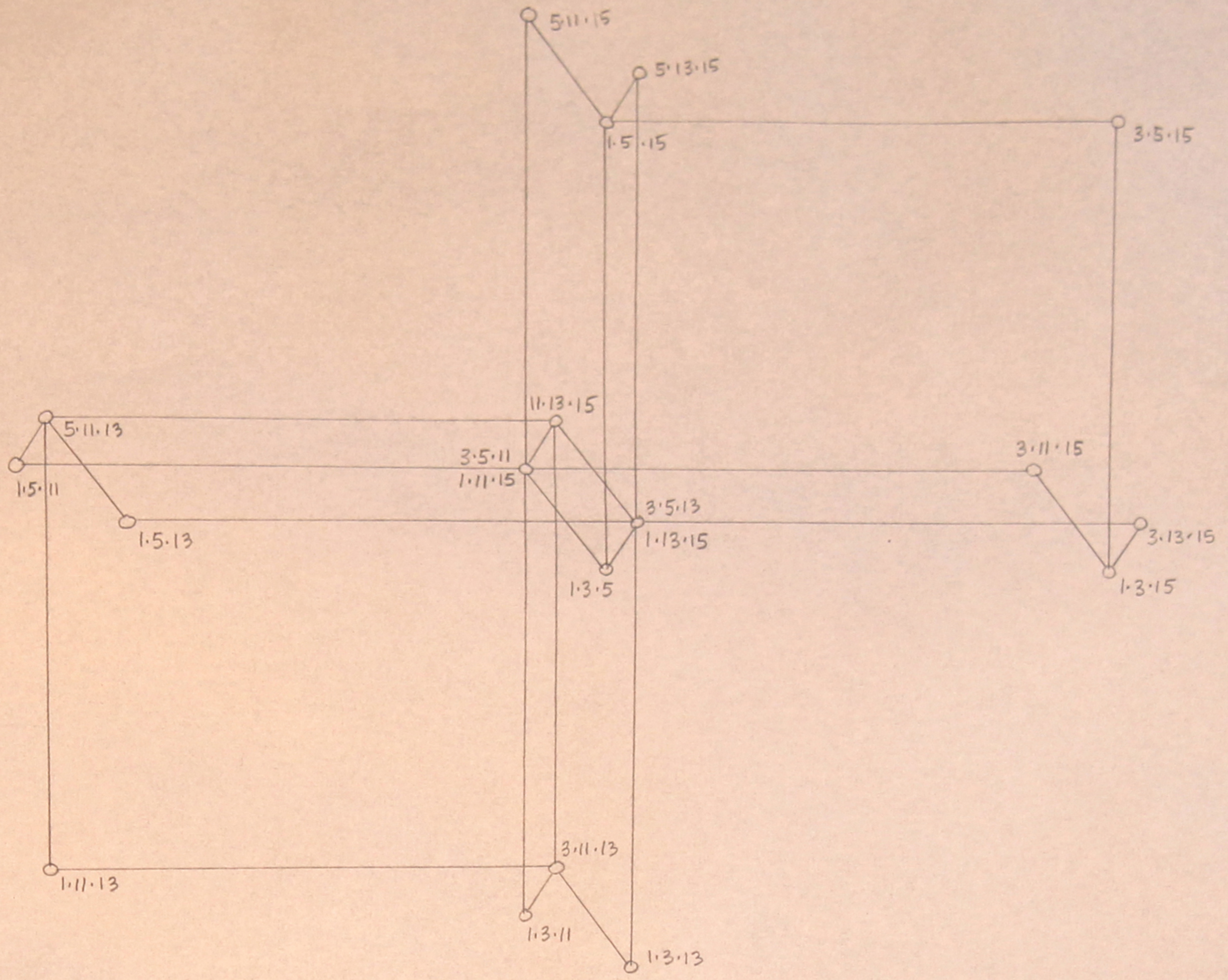


$$\frac{5 \cdot 11}{33} = \frac{55}{54}$$

1 3 5 9 11 15



13591315

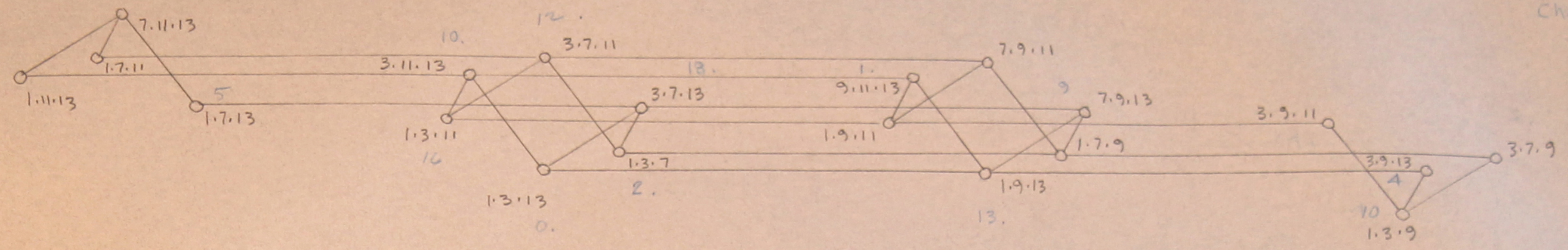


1 3 5 11 13 15

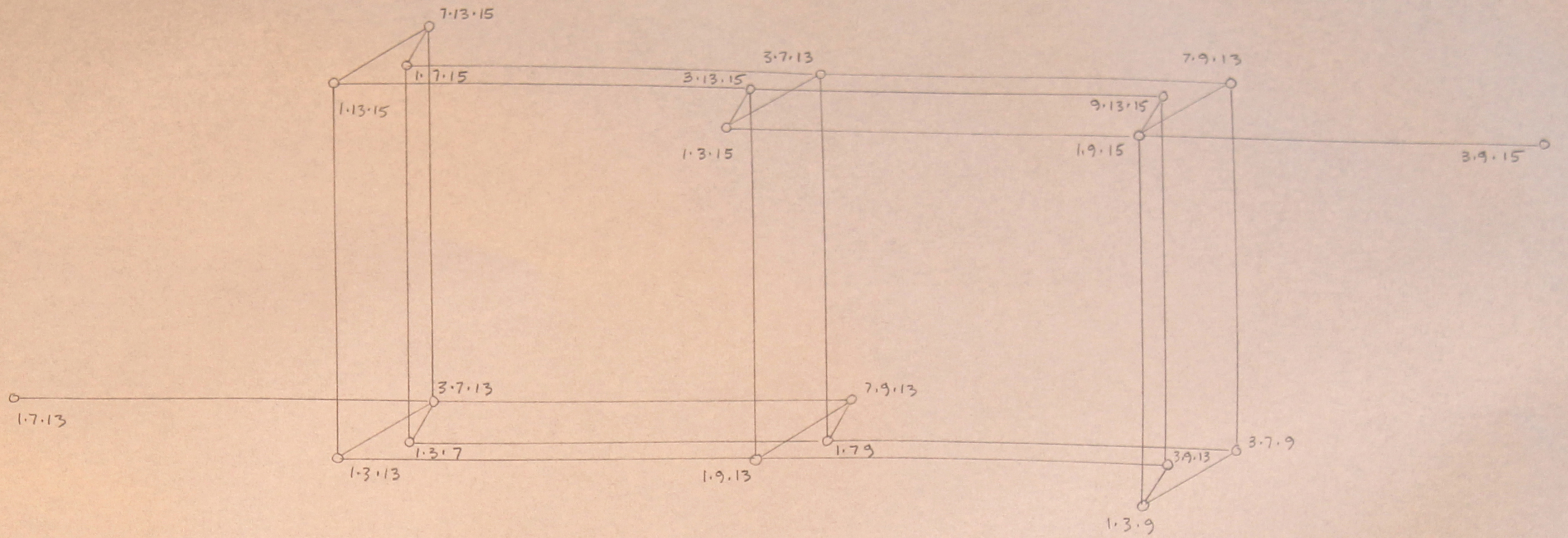
$$\frac{11.13}{3^2} = \frac{143}{144}$$

$$\frac{11.13}{3^2} \rightarrow = .010059$$

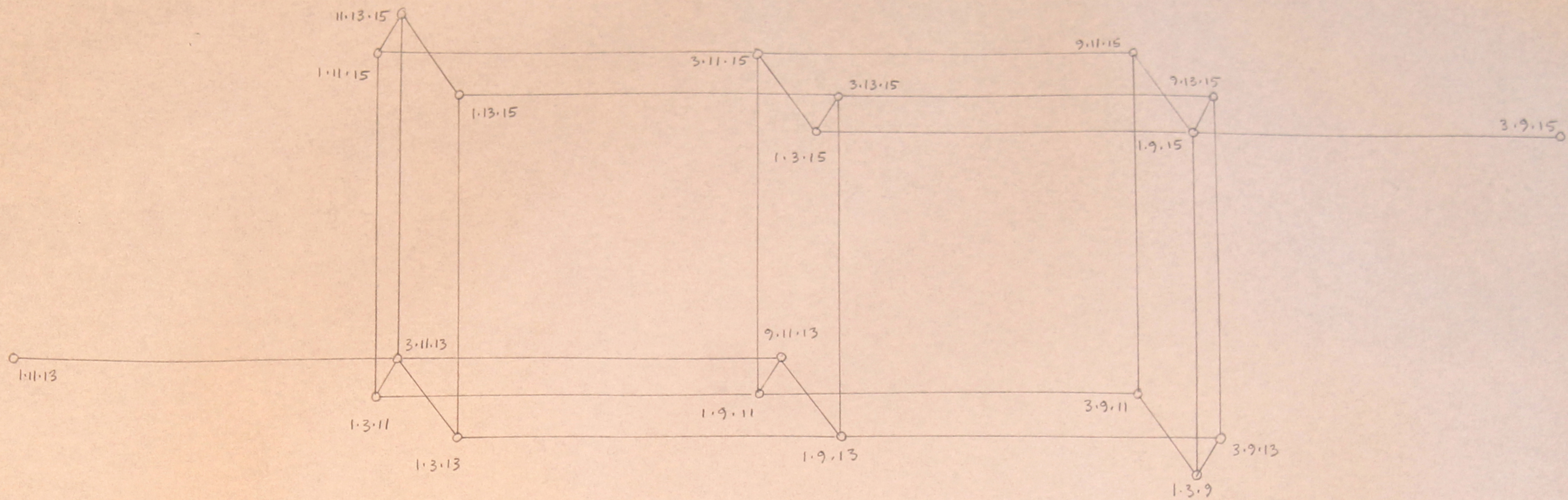
Chaitin Tables



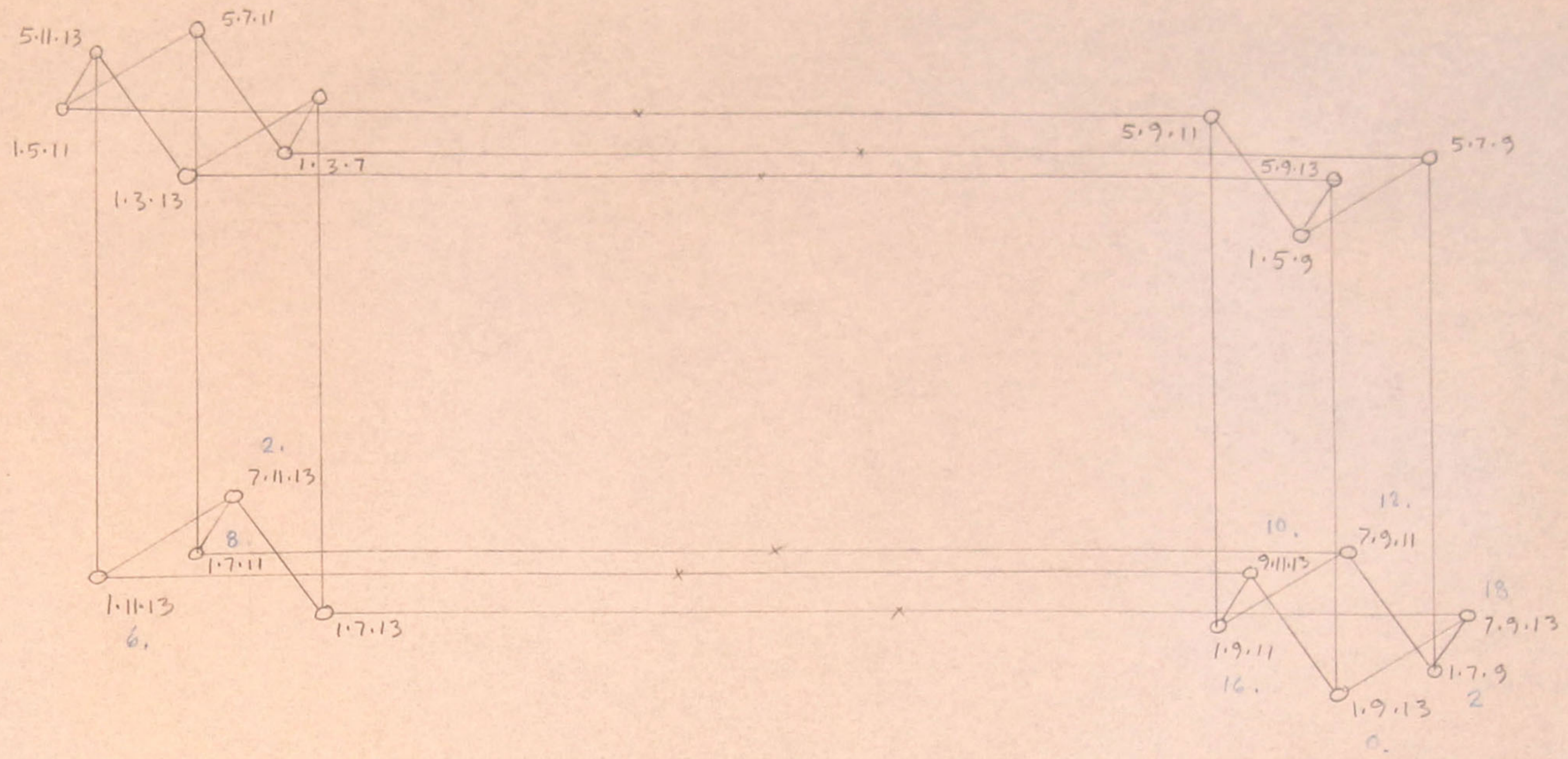
1 3 7 9 11 13



1 3 7 9 13 15

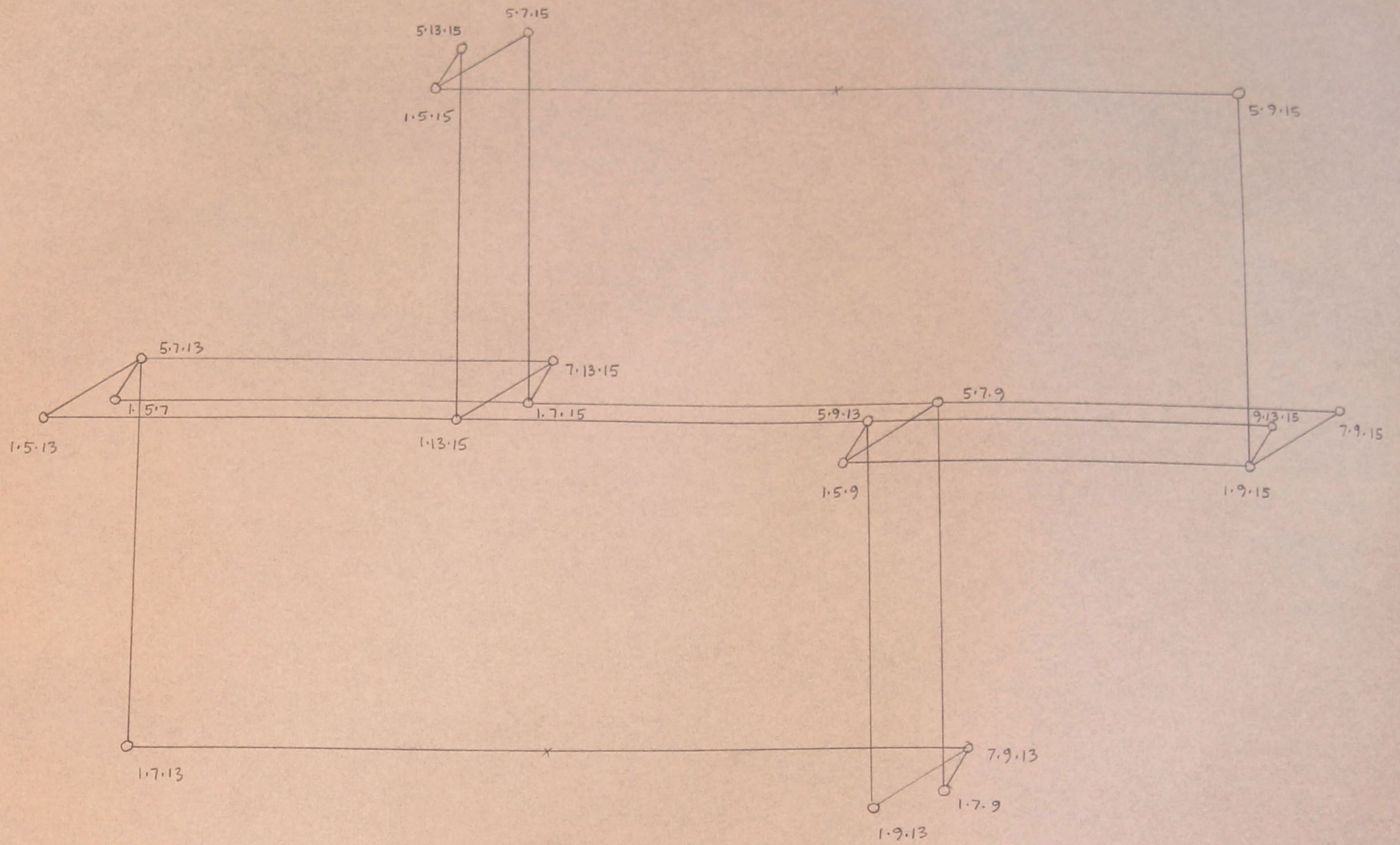


1 3 9 11 13 15

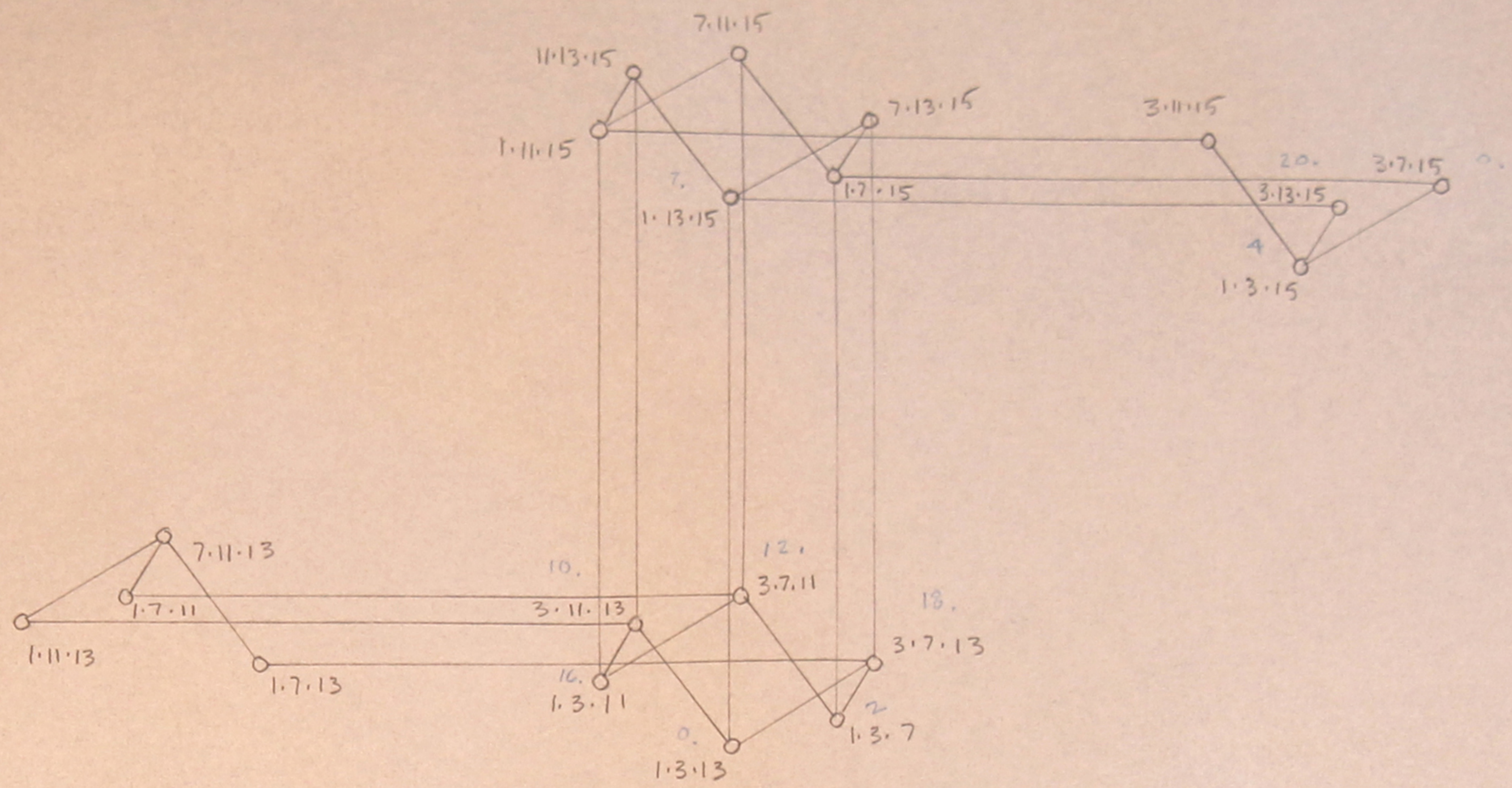


$$\frac{11 \cdot 13}{32}$$

1 5 7 9 11 13

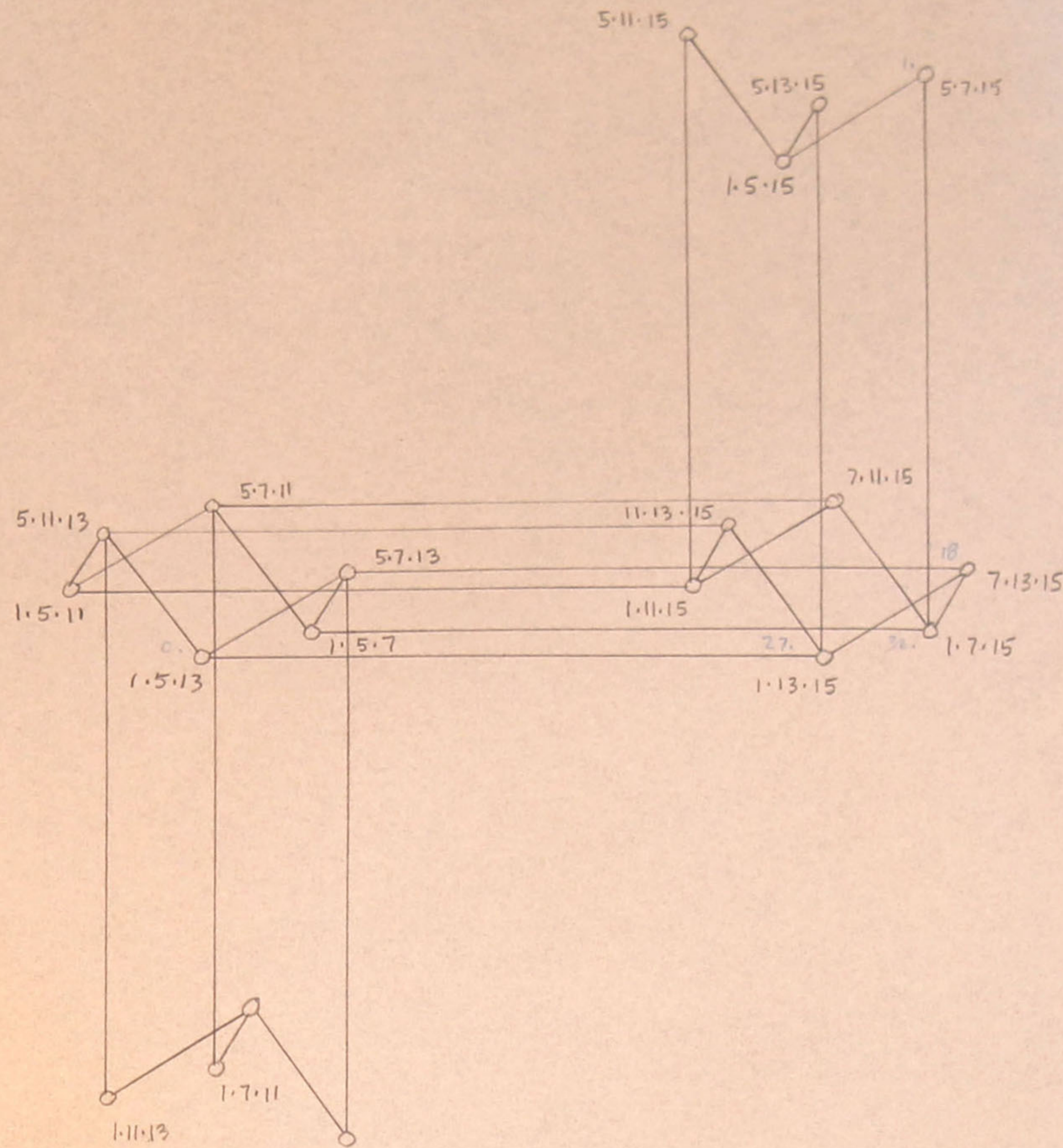


1 5 7 9 13 15



$$\frac{3 \cdot 7 \cdot 5}{13} = \frac{105}{104}$$

1 3 7 11 13 15

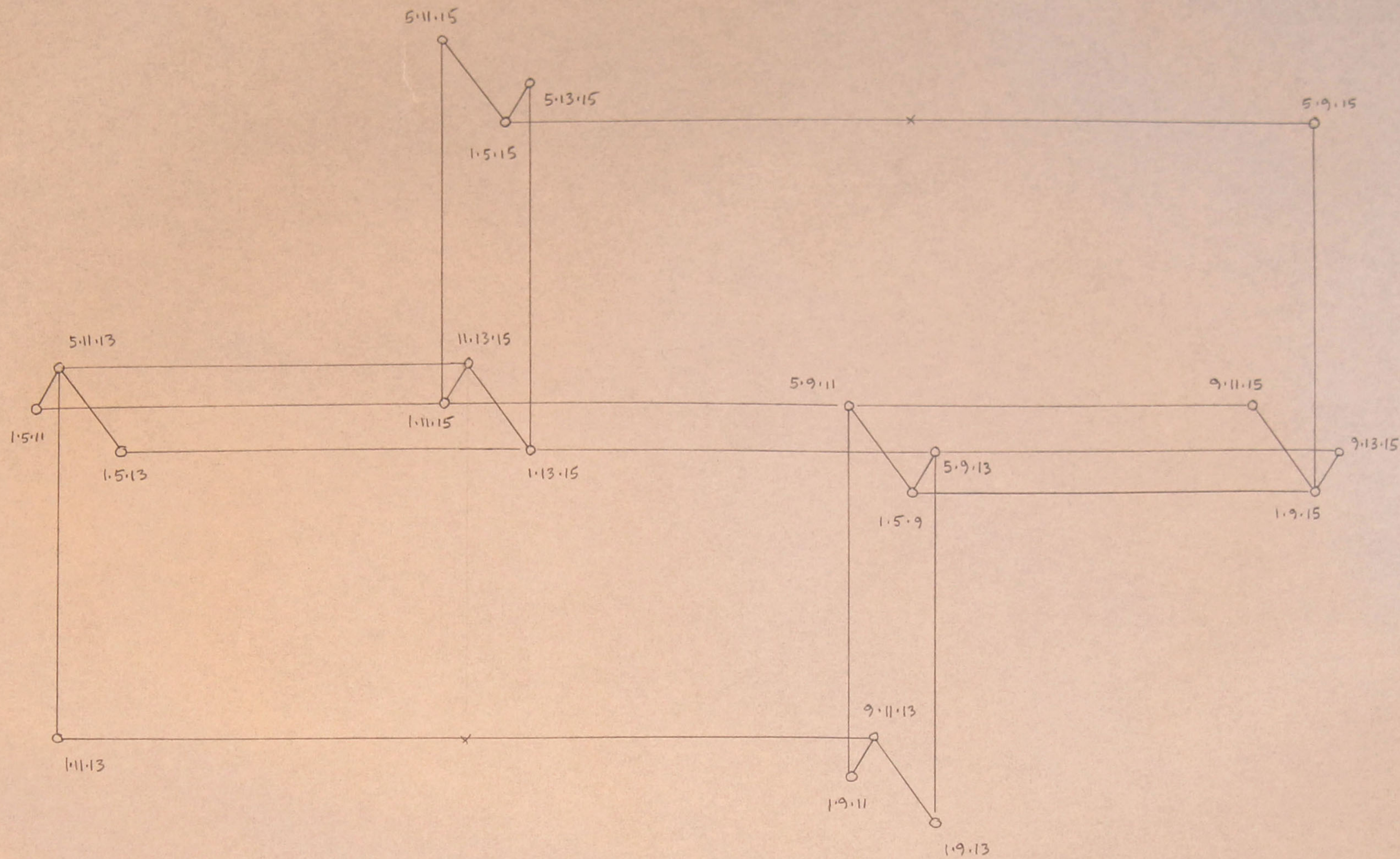


$$\frac{3 \cdot 7 \cdot 5}{13}$$

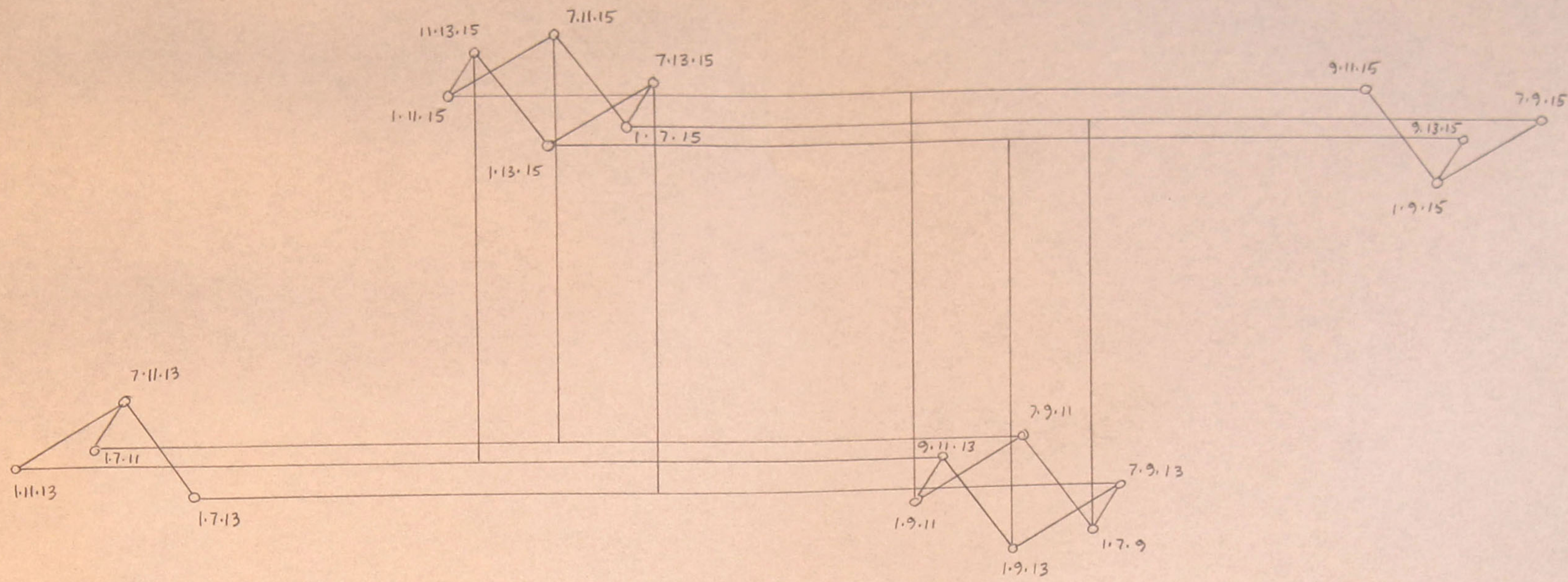
fused in 31, 41, 22
 Articulate in 40

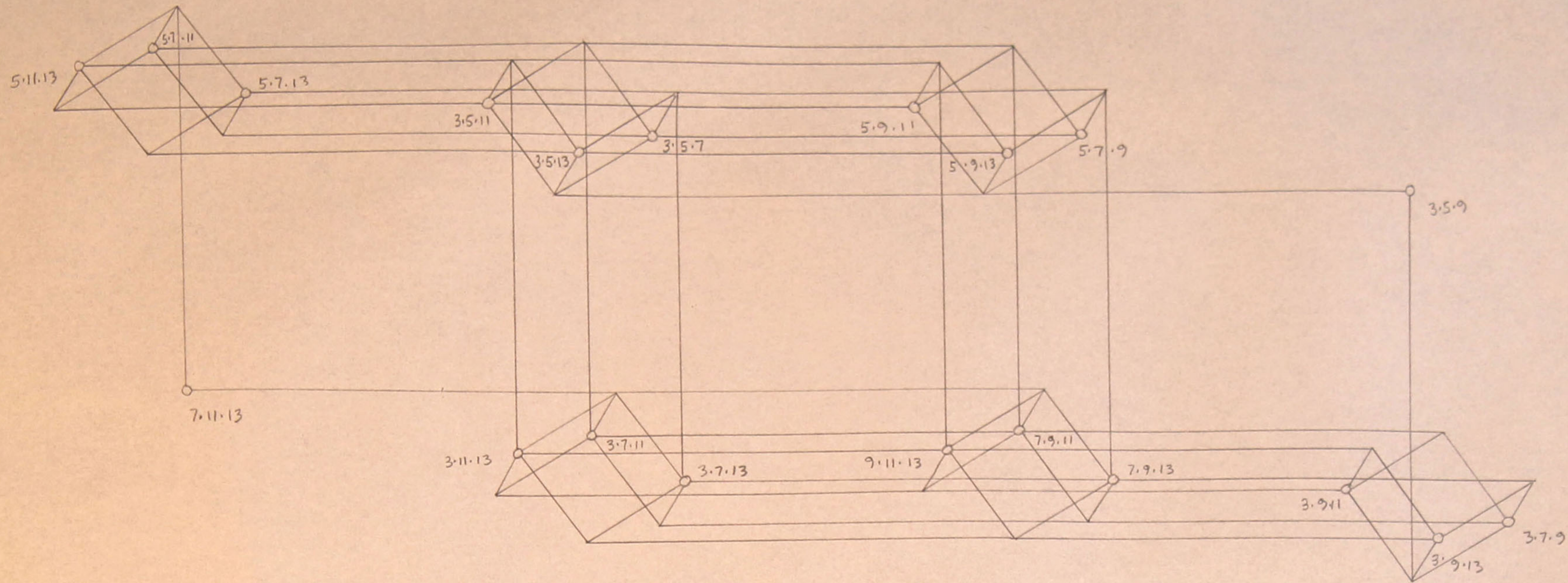
$$\begin{array}{r} 27 \\ 37 \\ 64 \\ \hline 46 \\ 13 \\ \hline 64 \\ 32 \\ \hline 32 \\ 15 \\ \hline \end{array}$$

1 5 7 11 13 15
 1 5 7 11 13 15



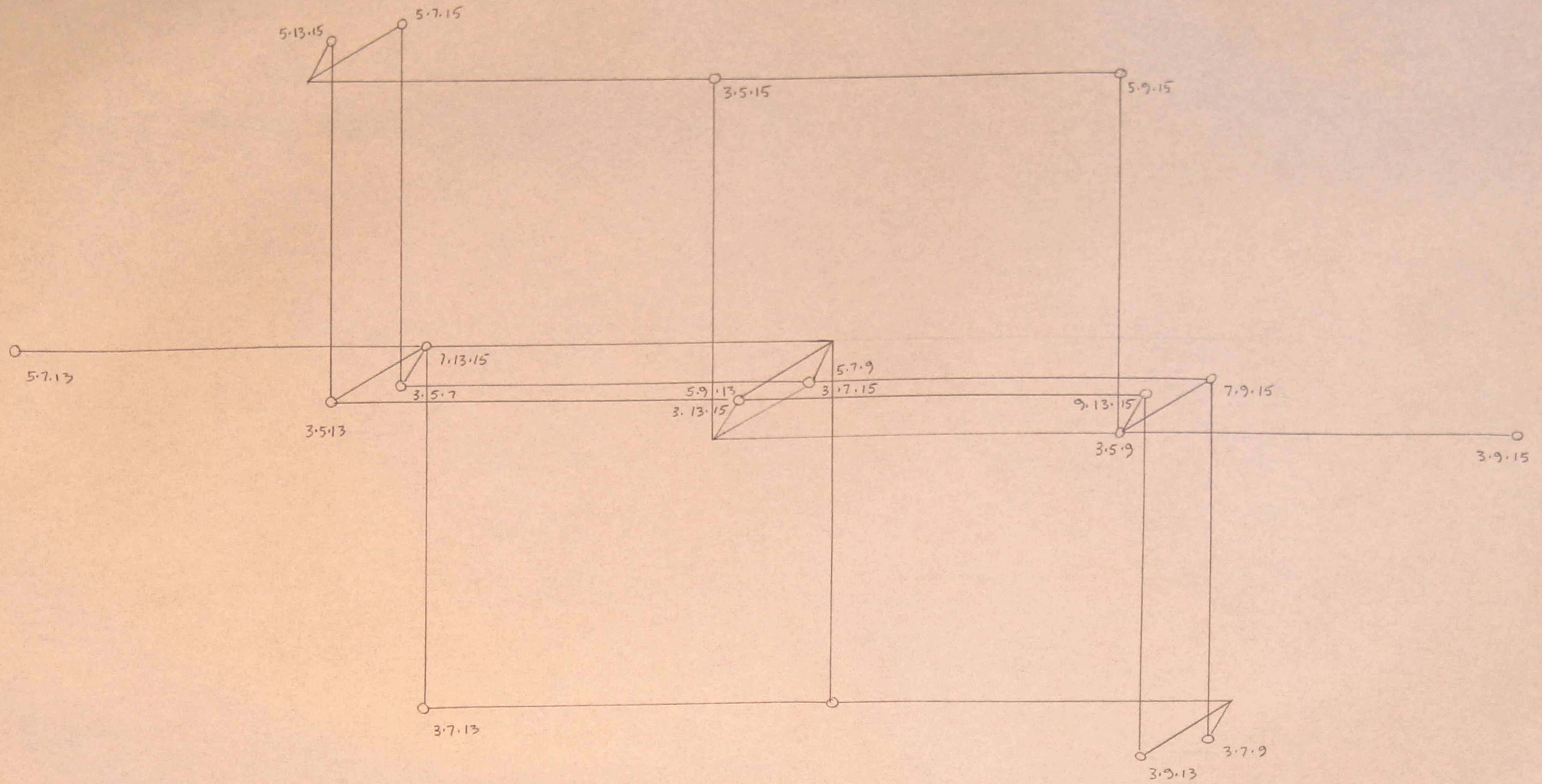
1 5 9 11 13 15



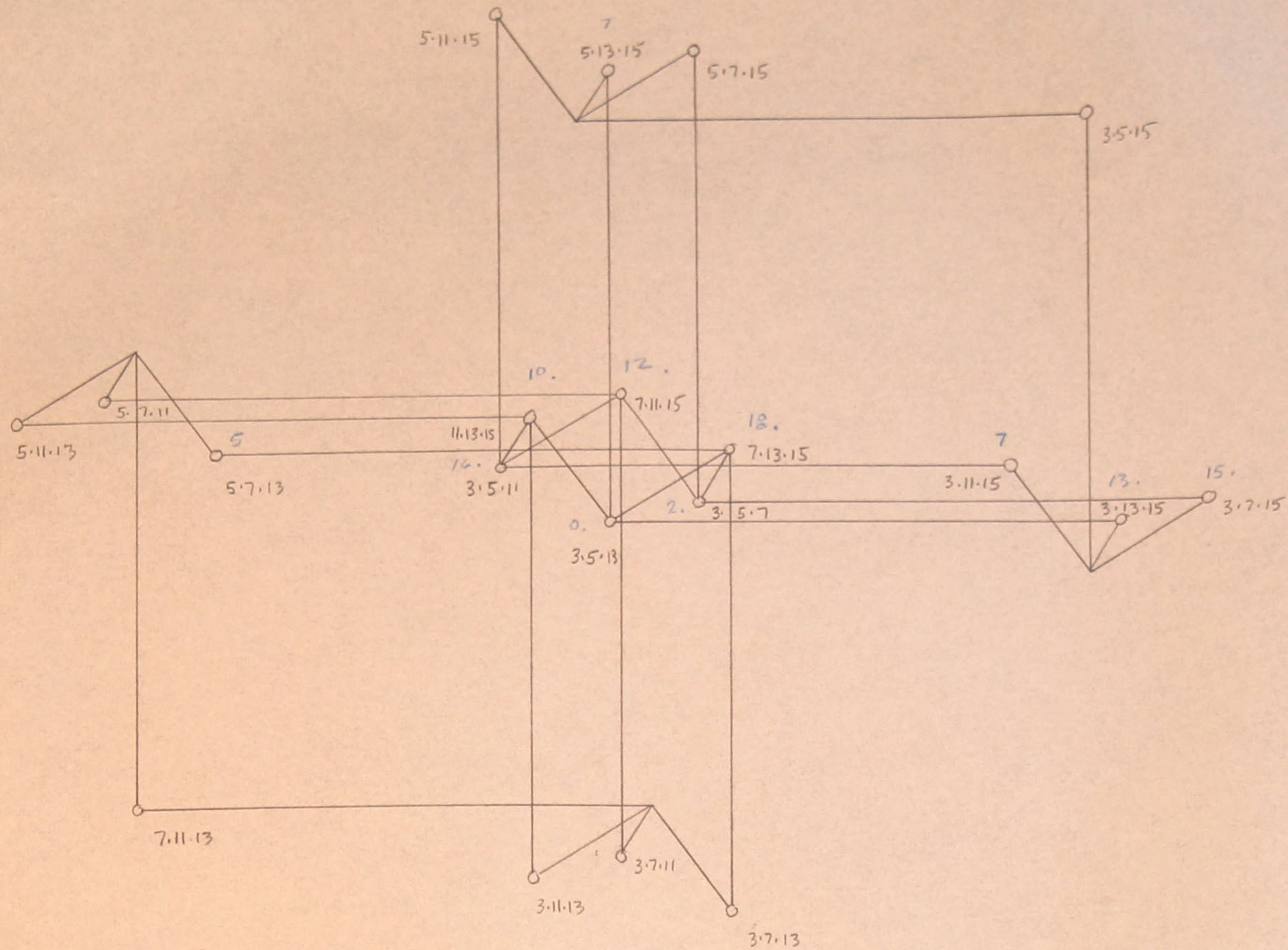


$$\frac{5 \cdot 11}{3 \cdot 9}$$

3 5 7 9 11 13

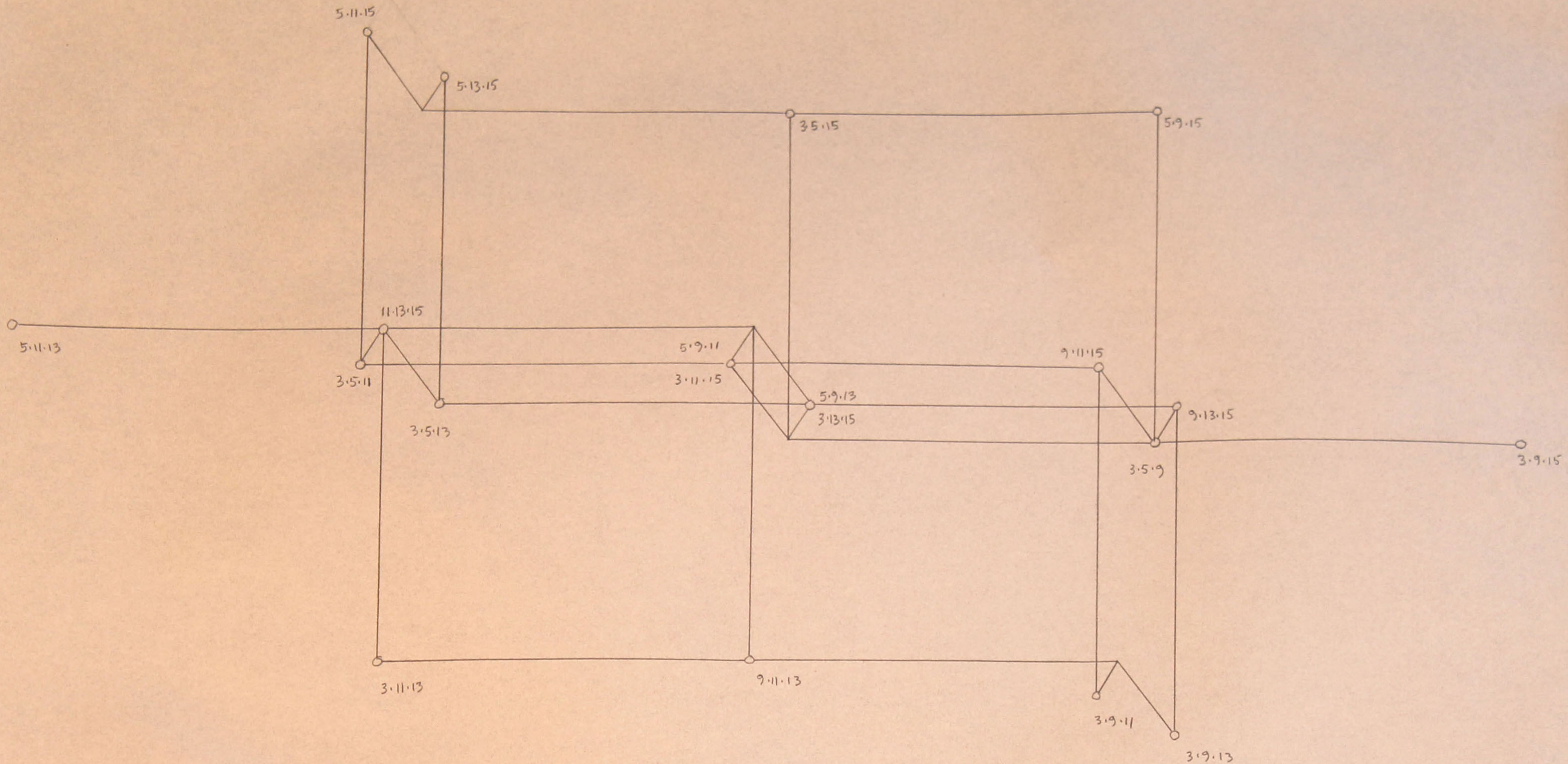


3 5 7 9 13 15

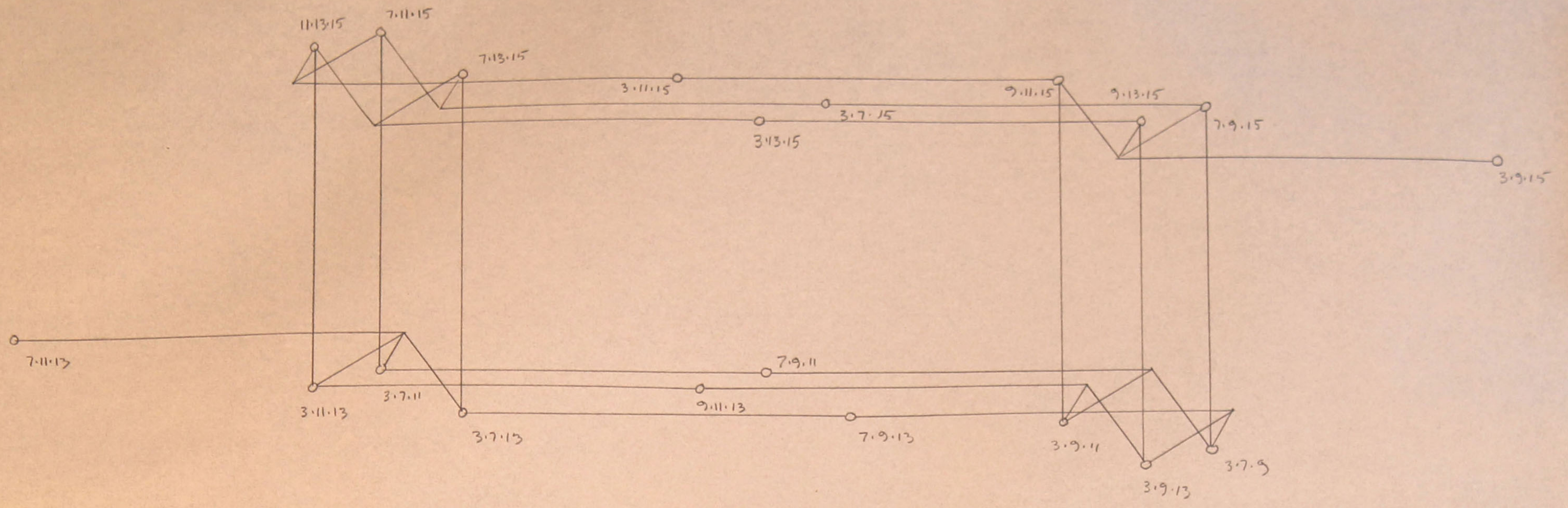


$$\frac{5.13}{3.11}$$

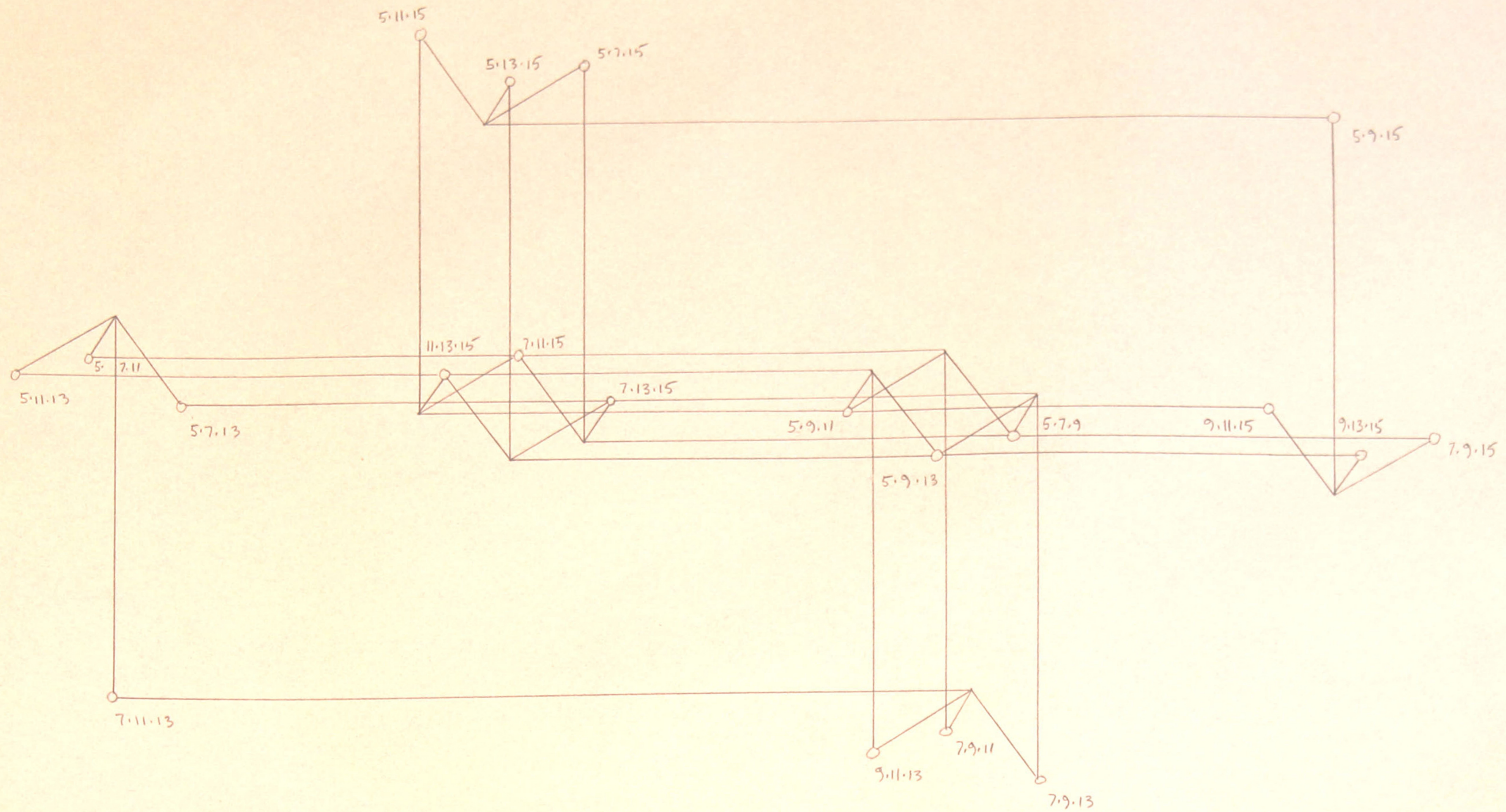
3 5 7 11 13 15



3 5 9 11 13 15



3 7 9 11 13 15



5 7 9 11 13 15